



K20 - K40

Integral Ice Makers

Parts Breakdown &
Circuit Diagrams



Spares Orderline 01254 888108

www.abcdirect2u.co.uk

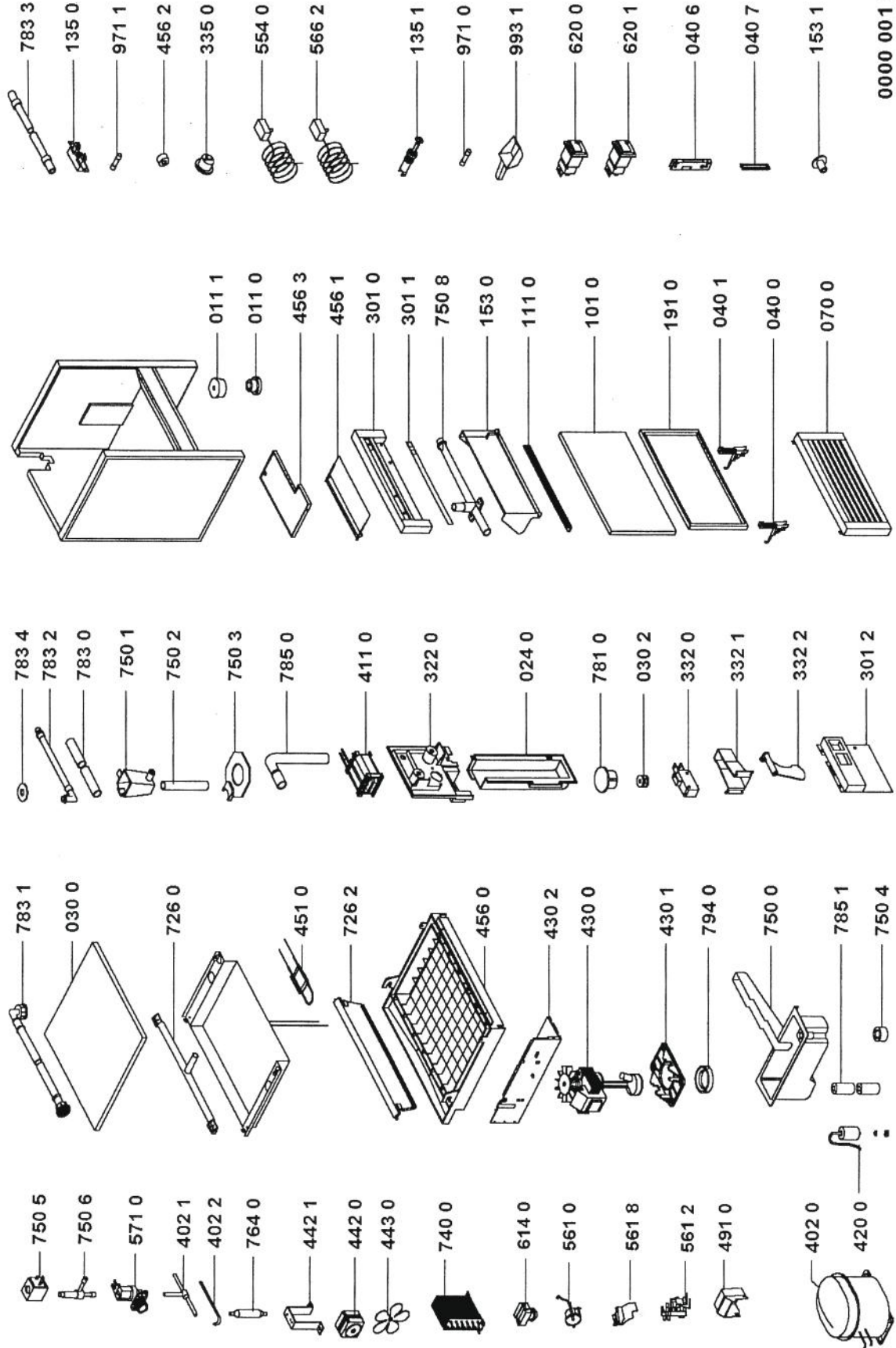
Spare Parts List

Pos. No.	12NC Code	Description	Pos. No.	12NC Code	Description
011 0	4819 500 18116	Foot	750 1	4819 418 48238	Tube
011 1	4819 532 68413	Holder	750 2	4819 530 28593	Connection
024 0	4819 462 79583	Cover plate	750 3	4819 462 79088	Stopper
030 0	4812 440 19982	Table top	750 4	4819 526 48183	Stopper
030 2	4819 532 28158	Bushing	750 5	4819 281 68028	Coil
040 0	4819 417 18949	Hinge left	750 6	4819 281 28248	Valve, magnet
040 1	4819 417 18948	Hinge right	750 8	4819 526 48341	Coupling piece
040 6	4819 417 19039	Holder f.hinge	764 0	4819 480 28144	Dryer
040 7	4819 459 48413	Frame f.hinge	781 0	4819 462 78475	Stopper
070 0	4819 458 38027	Grid, airing	783 0	4819 530 28541	Hose
101 0	4812 416 18252	Door, freezer	783 1	4819 530 28736	Hose
111 0	4819 498 68991	Grip	783 2	4819 530 28742	Hose
135 0	4819 256 48005	Holder	783 3	4819 530 48499	Hose
135 1	4819 256 48006	Holder	783 4	4819 532 58239	Gasket
153 0	4819 442 28652	Flap	785 0	4819 529 28138	Tube
153 1	4819 532 68296	Bushing	785 1	4819 530 28112	Insulator
191 0	4819 466 69457	Magnetic seal	794 0	4819 532 68096	Gasket
301 0	4819 442 28169	Control panel	971 0	4819 253 38007	Fuse
301 1	4819 452 99192	Insert	971 1	4819 253 28001	Fuse 630MA
301 2	4819 462 58102	Bracket	993 1	4819 395 78012	Skimmer f.ice
322 0	4819 452 99825	Bracket			
332 0	4819 271 38107	Microswitch			
332 1	4819 404 49804	Holder f.switch			
332 2	4819 404 49805	Lever			
335 0	4819 413 48086	Knob thermostat			
402 0	4812 360 38748	Compressor, NE 5187 Z			
402 1	4819 526 48339	Coupling piece			
402 2	4819 530 28898	Hose, connection			
411 0	4819 145 38026	Transformer			
420 0	4819 121 18278	Capacitor			
430 0	4819 361 78138	Motor, pump cpl.			
430 1	4819 404 49197	Holder f.pump			
430 2	4819 404 78532	Support			
442 0	4819 361 18449	Motor			
442 1	4819 404 49562	Holder			
443 0	4819 515 48025	Fan wheel			
451 0	4819 259 28719	Heating element			
456 0	4819 259 98215	Res.icecube cut			
456 1	4819 440 99901	Guide f.ice			
456 2	4819 532 58012	Bushing			
456 3	4819 442 78154	Door, flap			
491 0	4812 290 88075	Cover, conn.bloc			
554 0	4819 271 28842	Thermostat , ice quantity			
561 0	4812 280 38021	Protect, motor			
561 2	4819 290 68433	Connectionblock			
561 8	4812 280 38006	Protect, motor Holder			
566 2	4819 271 28799	Thermostat ice thickness			
571 0	4819 281 28225	Valve, magnet			
614 0	4812 280 38019	Monoblock			
620 0	4819 276 18121	Switch blue			
620 1	4819 276 18119	Switch green			
726 0	4819 532 48002	Tube			
726 2	4819 440 79896	Flap			
740 0	4819 511 48562	Condenser			
750 0	4819 418 79319	Container			



Exploded view

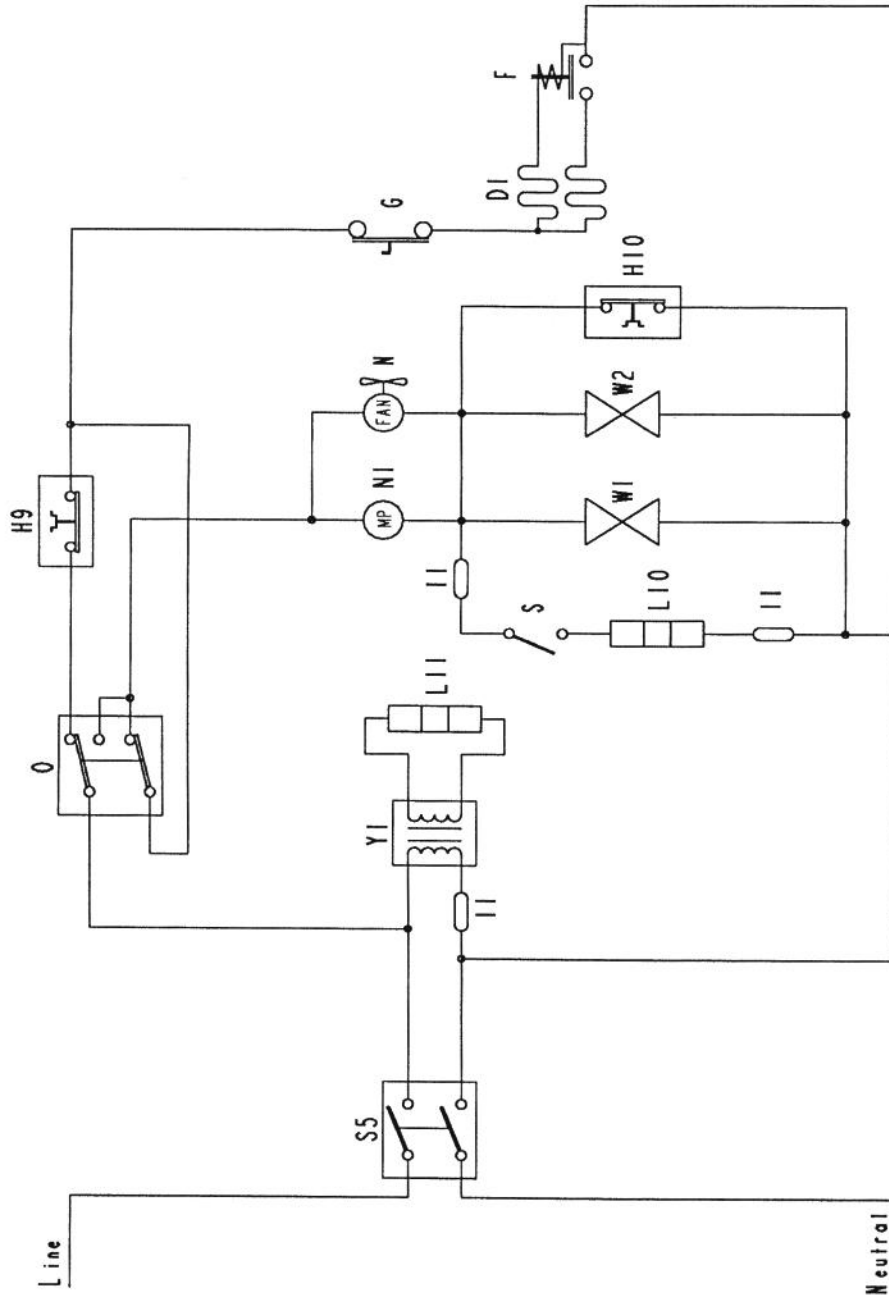
K20



0000 001 36668

Circuit and Wiring diagram

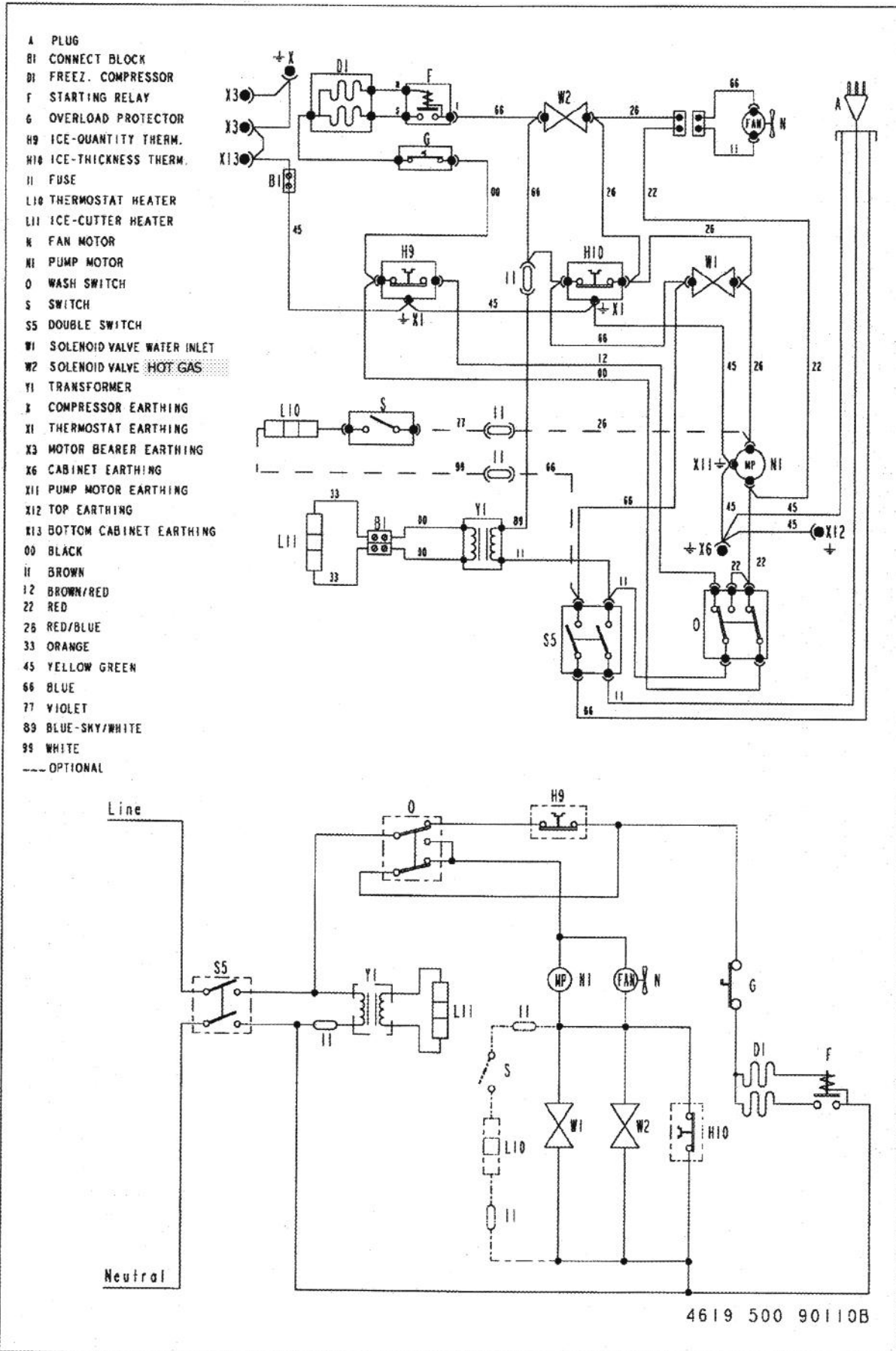
K20



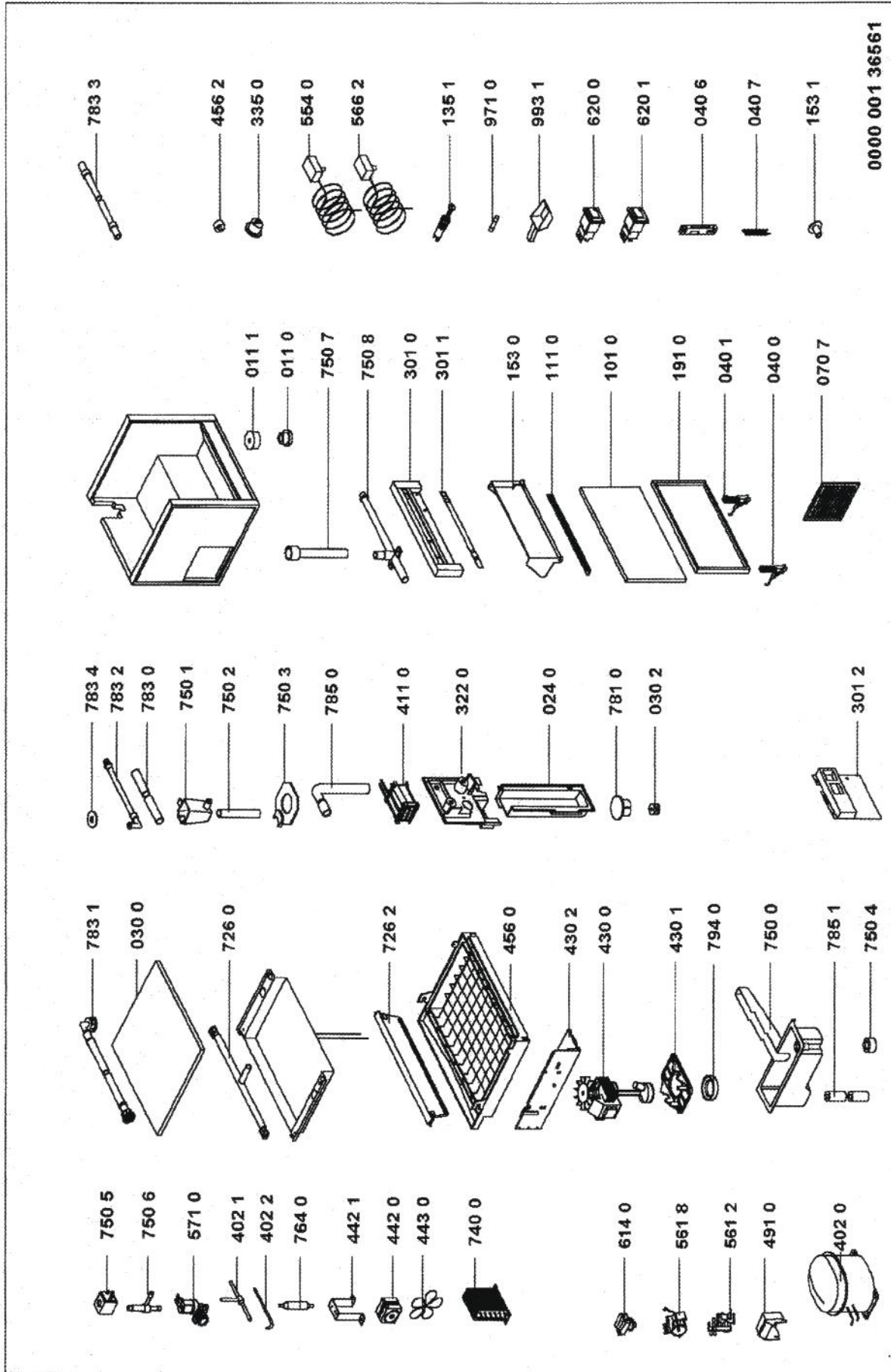
- D1 FREEZ. COMPRESSOR
- F STARTING RELAY
- G OVERLOAD PROTECTOR
- H9 ICE-QUANTITY THERM.
- H10 ICE-THICKNESS THERM.
- II FUSE
- L10 THERMOSTAT HEATER
- L11 ICE-CULTER HEATER
- N FAN MOTOR
- M PUMP MOTOR
- O WASH SWITCH
- S SWITCH
- S5 DOUBLE SWITCH
- W1 WATER SOLENOID VALVE
- W2 GAS MAGNETIC VALVE
- Y1 TRANSFORMER
- A PLUG
- B1 CONNECT BLOCK
- X COMPRESSOR EARTHING
- X1 THERMOSTAT EARTHING
- X3 MOTOR BEARER EARTHING
- X6 CABINET EARTHING
- X11 PUMP MOTOR EARTHING
- X12 TOP EARTHING
- X13 BOTTOM CABINET EARTHING
- 00 BLACK
- 11 BROWN
- 22 RED
- 33 ORANGE
- 45 YELLOW GREEN
- 66 BLUE
- 77 VIOLET
- 88 BLUE-SKY
- 99 WHITE

4619 500 90090 A

Circuit and Wiring diagram



Exploded view



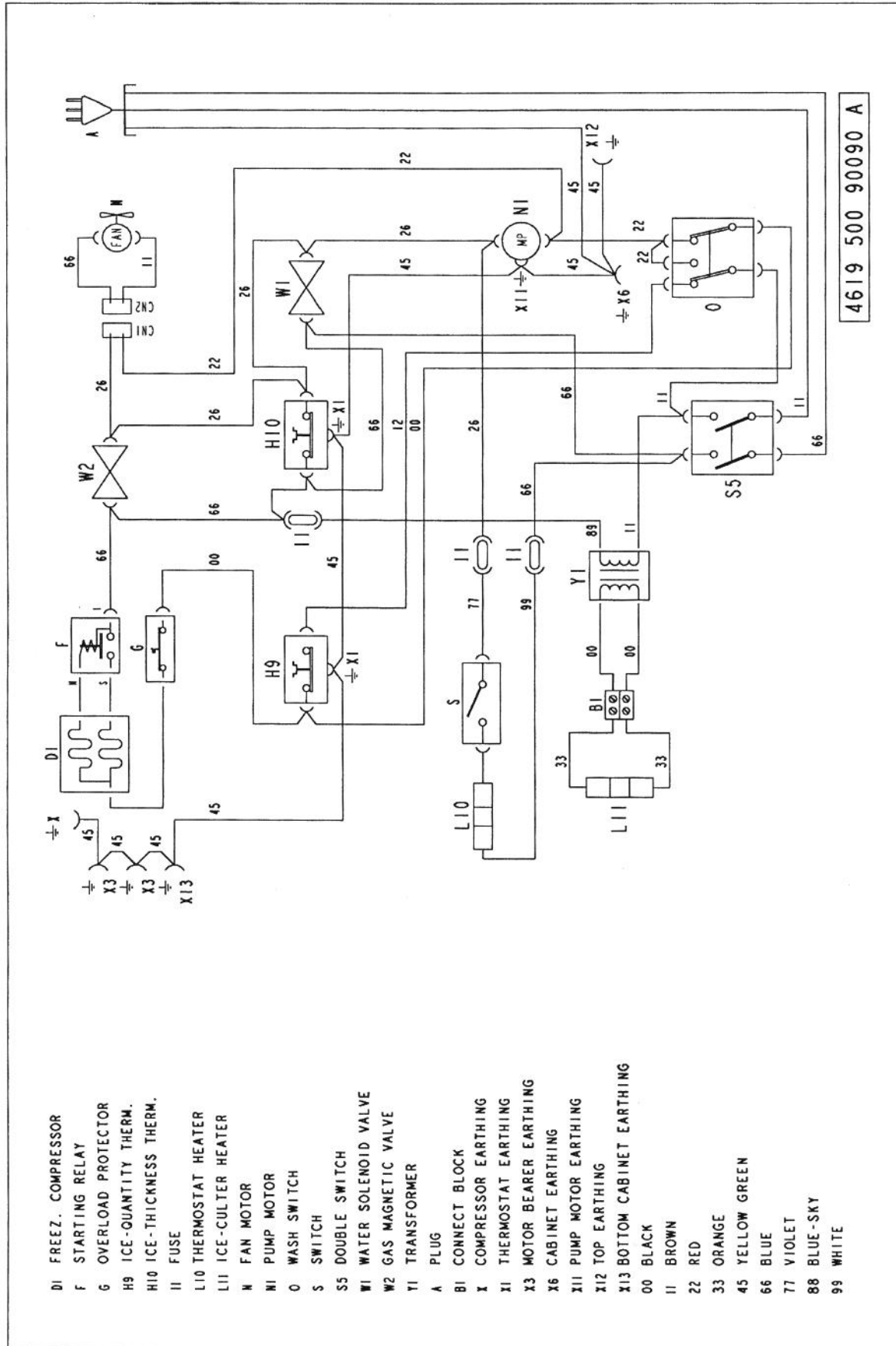
0000 001 36561

Spare Parts List

Pos. No.	12NC Code	Description
011 0	4819 500 18116	Foot
011 1	4819 532 68413	Holder
024 0	4819 462 79583	Cover plate
030 0	4812 440 19982	Table top
030 2	4819 532 28158	Bushing
040 0	4819 417 18949	Hinge left
040 1	4819 417 18948	Hinge right
040 6	4819 417 19039	Holder f.hinge
040 7	4819 459 48413	Frame f.hinge
070 7	4819 458 58265	Grille
101 0	4812 416 18252	Door,freezer
111 0	4819 498 68991	Grip
135 1	4819 256 48006	Holder
153 0	4819 442 28652	Flap
153 1	4819 532 68296	Bushing
191 0	4819 466 69457	Magnetic seal
301 0	4819 442 28169	Control panel
301 1	4819 460 78096	Insert
301 2	4819 462 58102	Bracket
322 0	4819 452 99825	Bracket
335 0	4819 413 48086	Knob thermostat
402 0	4812 360 38684	Compressor NB 1117 Z
402 1	4819 526 48339	Coupling piece
402 2	4819 530 28941	Hose
411 0	4819 145 38025	Transformer
430 0	4819 361 78138	Motor ,pump cpl.
430 1	4819 404 49197	Holder f.pump
430 2	4819 404 78532	Support
442 0	4819 361 18449	Motor
442 1	4819 404 49562	Holder
443 0	4819 515 48056	Fan wheel
456 0	4819 259 98215	Res,icecube cut
456 2	4819 532 58012	Bushing
491 0	4812 290 88075	Cover,conn.bloc
554 0	4819 271 28842	Thermostat ,ice quantity
561 2	4819 290 68433	Connectionblock
561 8	4812 280 38014	Protect,motor
566 2	4819 271 28799	Thermostat ice thickness
571 0	4819 281 28224	Valve,magnet
614 0	4819 280 68212	Relay 220V
620 0	4819 276 18121	Switch blue
620 1	4819 276 18119	Switch green
726 0	4819 532 48002	Tube
726 2	4819 440 79896	Flap
740 0	4819 511 48619	Condenser
750 0	4819 418 79319	Container
750 1	4819 418 48238	Tube
750 2	4819 529 28128	Tube exhaust
750 3	4819 462 79088	Stopper
750 4	4819 526 48183	Stopper
750 5	4819 281 68028	Coil
750 6	4819 281 28248	Valve,magnet
750 7	4819 530 28588	Connection
750 8	4819 526 48341	Coupling piece
764 0	4819 480 28144	Dryer

Pos. No.	12NC Code	Description
781 0	4819 462 78475	Stopper
783 0	4819 530 28541	Hose
783 1	4819 530 28736	Hose
783 2	4819 530 28742	Hose
783 3	4819 530 48499	Hose
783 4	4819 532 58239	Gasket
785 0	4819 529 28138	Tube
785 1	4819 530 28112	Insulator
794 0	4819 532 68096	Gasket
971 0	4819 253 38003	Fuse
993 1	4819 395 78012	Skimmer f.ice

Circuit and Wiring diagram



Service

ABC
direct

Ice Cubes Sticking Together

To prevent ice cubes from sticking together, a flap can be mounted underneath the evaporator as illustrated below

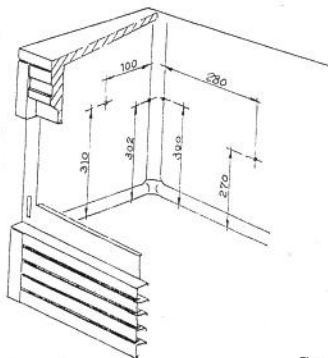
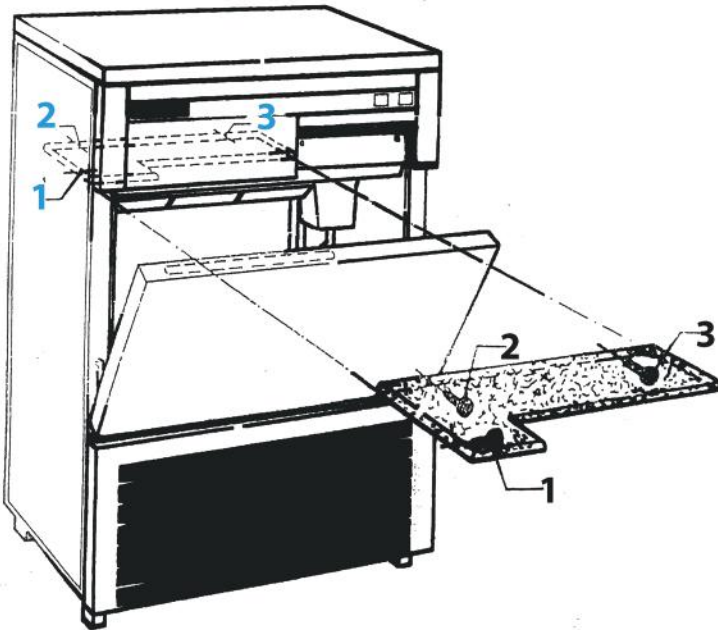


Fig. 1

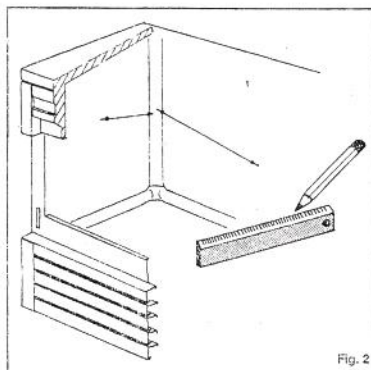


Fig. 2

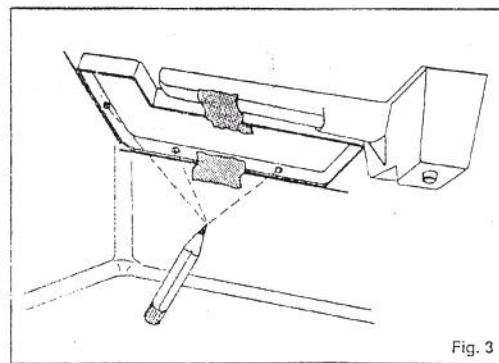


Fig. 3

Flap is available in a kit.

CODE: 4819 310 38713

The Kit Includes:

Flap x 1

Screws x 3

Instruction Sheet x 1

K40 Spares Orderline 01254 888108